

EA-OD9D

9dBi Directional Antenna for 2.4GHz 802.11b/g



Features

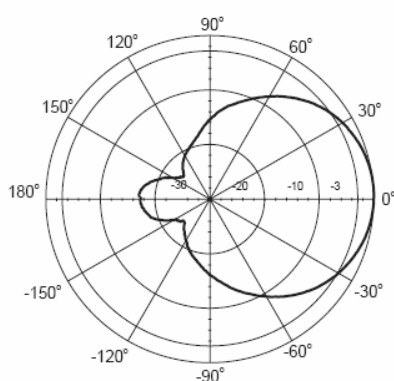
- Comply with IEEE 802.11b/g system standard
- Feasible to avoid potential “dead spots”
- Quick relocation to have best Wi-Fi signal receiving and transmitting
- Provide easy installation mounting kits

Specifications

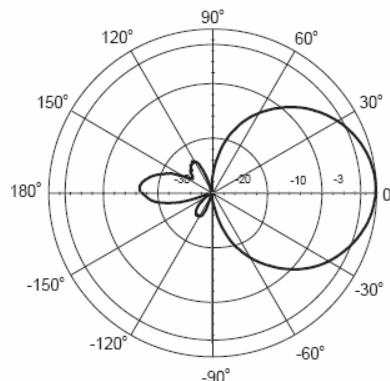
Electrical Specifications		Mechanical Specifications	
Frequency Range	2.40 to 2.50 GHz	Dimension	114 x 114 x 40mm
Gain	9dBi	Weight	109 gw
Polarization	Linear, Vertical	Radome Material	ABS
VSWR	1.5 Max : 1	Radome Color	Gray-white
Connector	N Jack	Temperature Storage	-40 °C to +80 °C
Power handling	20 Watts	Survival wind speed	216 km/hr

Pattern (H & V Plane)

HPBW (H Plane)	60± 5 degree
HPBW (V Plane)	60± 5 degree



Horizontal (H Plane)



Vertical (V Plane)

Notes: Specifications are subjected to change at any time without notice.

Taiwan / Headquarters
Edimax Technology Co., LTD.
TEL:886-2-7739-6888
FAX:886-2-7739-6887
sales@edimax.com.tw

China
Beijing Edimax Science &
Technology Co., LTD.
TEL:8610-6213-9288
FAX:8610-6213-9231
sales@edimax.com.cn

U.S.A.
Edimax Computer Company
TEL:1-408-496-1105
FAX:1-408-980-1530
sales@edimax.com

Latin America
TEL:1-786-845-8099
FAX:1-786-331-8490
sales_latinamerica@edimax.com

Europe
Edimax Technology Europe B.V.
TEL:31-499-377344
FAX:31-499-372647
sales@edimax.nl

U.K.
Edimax Technology (UK) Ltd.
TEL:44-870-7740226
FAX:44-870-7740227
info@edimax.co.uk

